

Circular Spacers

Circular Spacers

USES

- Civil precast and commercial construction
- Columns and piers
- Bar spacers in conduit

DESCRIPTION

The extensive range of circular spacers are designed and manufactured from quality plastics, for strength and stability.

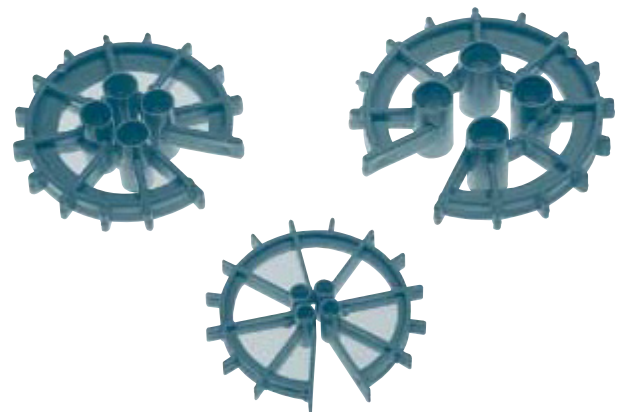
The unique design offers accurate cover for 360 degrees. It will not twist when in position due to the in-built sleeves which adjusts to hold the bar firmly. As the size of the bar increases the cover remains the same.

The spacer concrete grey coloured, is designed to be connected to the fitment so that it is in a vertical position, enabling it to rotate when the formwork is assembled.



ADVANTAGES

- CONSTANT COVER - Even with rotation
- RUST FREE - Avoids rust migration
- STABLE - Sleeved clips prevents twisting & holds bar firmly
- HUGE RANGE - To suit three bar sizes
- Easy clip on



SUPPLY

Bar Size	Cover in mm
3-6mm	12 15 20 25 30
8-12mm	15 20 25 30 40 50 65 75
16-20mm	25 30 40 50 75

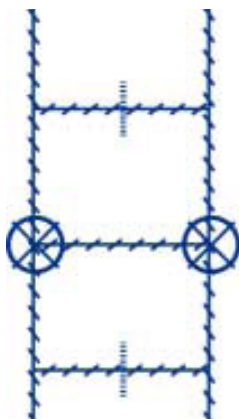
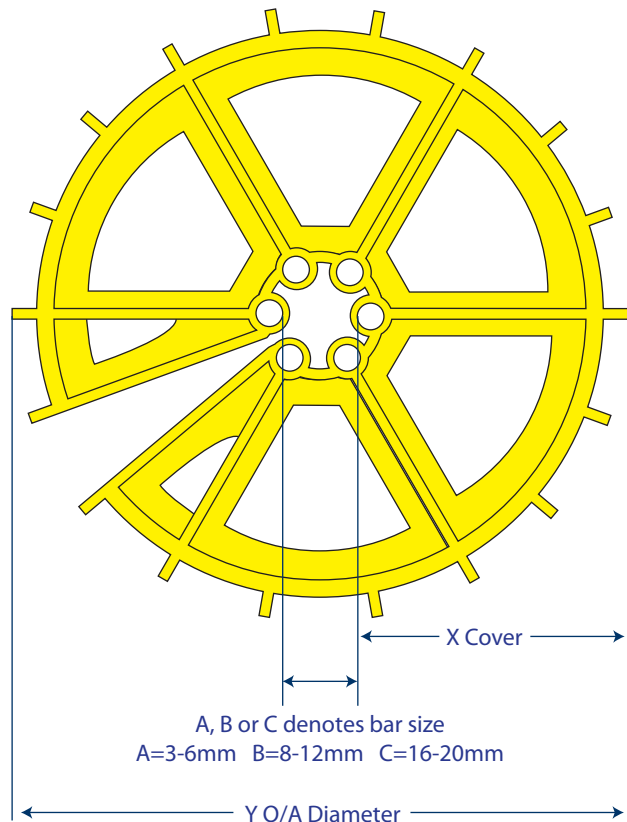
PROPERTIES

P/Code	Bar Size	Cover (X)	O/A Diameter (Y)
CA12CR6	3-6	12	30
CA15CR6	3-6	15	35
CA20CR6	3-6	20	45
CA25CR6	3-6	25	55
CA30CR6	3-6	30	65
CB15CR12	8-12	15	40
CB20CR12	8-12	20	50
CB25CR12	8-12	25	60
CB30CR12	8-12	30	70
CB40CR12	8-12	40	90
CB50CR12	8-12	50	110
CB65CR12	8-12	65	145
CB75CR12	8-12	75	160
CC25CR20	16-20	25	65
CC30CR20	16-20	30	75
CC40CR20	16-20	40	95
CC50CR20	16-20	50	115
CC75CR20	16-20	75	165

O/A Diameter can vary depending on size of bar.

Packed in bags of 100, or available in bales.

All dimensions are nominal and expressed in millimetres.



COLUMNS AND PIERS



BAR SPACERS
INSIDE CONDUIT

IMPORTANT NOTICE

A Material Safety Data Sheet (MSDS) and Technical Data Sheet (TDS) are available from the Parchem website or upon request from the nearest Parchem sales office. Read the MSDS and TDS carefully prior to use as application or performance data may change from time to time. In emergency, contact any Poisons Information Centre (phone 13 11 26 within Australia) or a doctor for advice.

PRODUCT DISCLAIMER

This Technical Data Sheet (TDS) summarises our best knowledge of the product, including how to use and apply the product based on the information available at the time. You should read this TDS carefully and consider the information in the context of how the product will be used, including in conjunction with any other product and the type of surfaces to, and the manner in which, the product will be applied. Our responsibility for products sold is subject to our standard terms and conditions of sale. Parchem does not accept any liability either directly or indirectly for any losses suffered in connection with the use or application of the product whether or not in accordance with any advice, specification, recommendation or information given by it.